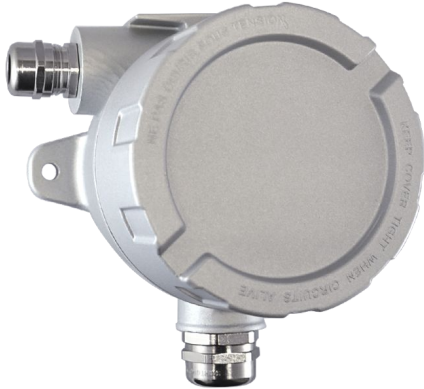




Flameproof Nitric Oxide Detector-Transmitter E2670-NO



Features

- Aluminium pressure die-casting enclosure
- Suitable for ATEX Zones 2 and 22
- Two analog outputs settable to 4-20 mA or 0-10 V
- RS485 Modbus RTU digital interface
- Relay option

Specifications

Calibration	Nitric oxide NO
Sensor type	Electrochemical
Sampling method	Diffusion
Typical detection range	0...250 ppm
Maximum overload	1000 ppm
Resolution / digital unit	1 ppm
Response time T90	<40 s
Sensor lifetime	> 12 months
Maintenance interval	6 months
Signal update	Every 1 second
Self-diagnostics	Full functionality check at start-up
Warm-up time	≤ 1 min
Power supply	12...36 VDC (default), 24 VAC or 230 VAC as options
Power consumption	< 2 VA
Digital interface	RS485, Modbus RTU protocol
Analog outputs	2 × 4-20 mA / 0-10 V, user settable
Output scale width	Recommended: 20-100% of the range; > 10 × resolution in any case
Enclosure	Grey die-cast aluminium, wall-mount, protection class IP65
Dimensions	H155 × W145 × D110 mm
Operating environment	Industrial indoor and outdoor locations
Operating conditions	-30...+50 °C; 15...90% RH non-condensing; 0,9...1,1 atm; Explosion-safe areas Non-aggressive atmosphere NOTE! We offer technical solutions for extreme humidity, please ask for more information.
Relay option (ordering code R)	
Output relays	2 × SPST relays (closing contact), 250 VAC / 30 VDC, 5 A max
Default alarm setpoints	RE1 (LOW): set 10 ppm, release 8 ppm RE2 (HIGH): set 25 ppm, release 20 ppm

Approvals

Enclosure:

ATEX / IECEx
FTZU 03 ATEX 0207U
IECEX FTZU 12.0017U

II 2 G Ex db IIC Gb
 II 2 D Ex tb IIIC Db

Glands:

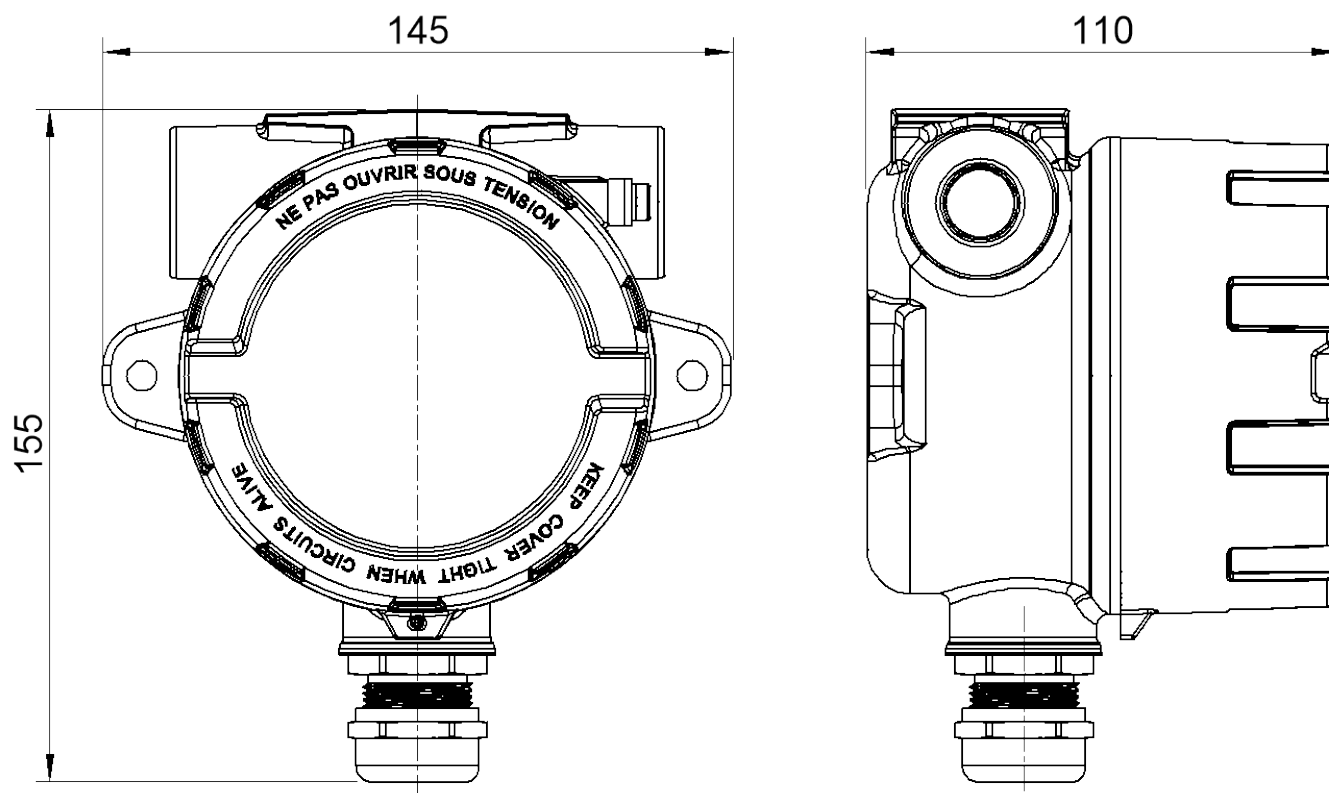
ATEX / IECEx
EESF 19 ATEX 023X
 II 2 G Ex db IIC Gb
 II 2 D Ex tb IIIC Db IP66

CE conformity

Flameproof to IEC EN 60079-0, EN 60079-1,
EN 60079-31
EMC Emissions to EN 61000-6-3, EN 61326-1
EMC Immunity to EN 61000-6-1, EN 61000-6-2



Dimensions



Mounting holes

