

Sulfur Dioxide Transmitter

E2618-SO2



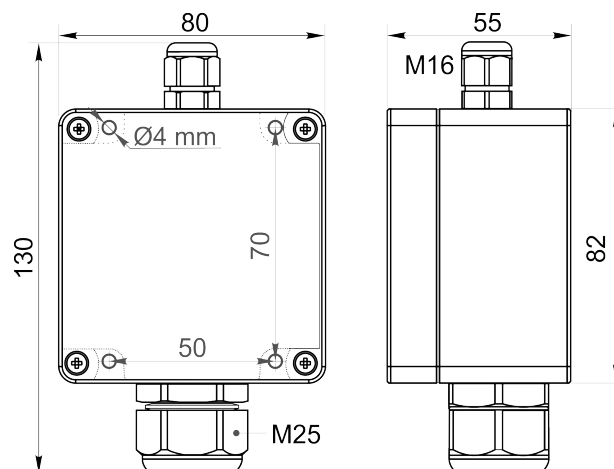
Features

- Wall-mount or duct-mount version
- Industrial IP65 housing
- Two analog outputs settable to 4-20 mA or 0-10 V
- RS485 Modbus RTU digital interface
- Attached or remote sensor

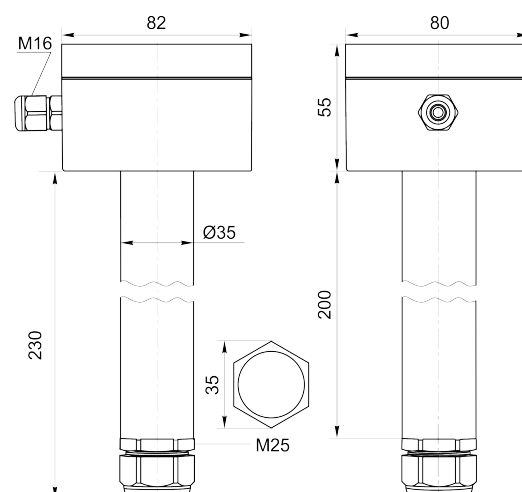
Specifications

Calibration	Sulfur dioxide SO ₂	
Sensor type	Electrochemical	
Sampling method	Diffusion	
Detection ranges	0-50 ppm	0-2000 ppm
Maximum overload	75 ppm	10 000 ppm
Resolution/digital unit	0.1 ppm	1 ppm
Response time T90	< 35 s	< 33 s
Signal update	Every 1 second	
Sensor lifetime	> 2 years	
Maintenance interval	6 months	
Self-diagnostics	Full functionality check at start-up	
Warm-up time	≤ 1 min	
Power supply	12...36 VDC (default) 24 VAC as option	
Power consumption	< 2 VA	
Digital interface	RS485, Modbus RTU protocol	
Analog outputs	2 × 4-20 mA / 0-10 V, user settable	
Output scale width	Recommended: 20-100% of the range; > 10 × resolution in any case	
Enclosure	Grey ABS plastic, wall mount, protection class IP65	
Dimensions	H82 × W80 × D55 mm	
Remote sensor probe	Protection IP65, shielded cable default cable length 3.0 m	
Operating environment	Industrial indoor and outdoor locations	
Operating conditions	-30...+50 °C; 15...90% RH non-condensing; 0,9...1,1 atm; Explosion-safe areas Non-aggressive atmosphere	
	NOTE! We offer technical solutions for extreme humidity, please ask for more information.	

Wall mount version



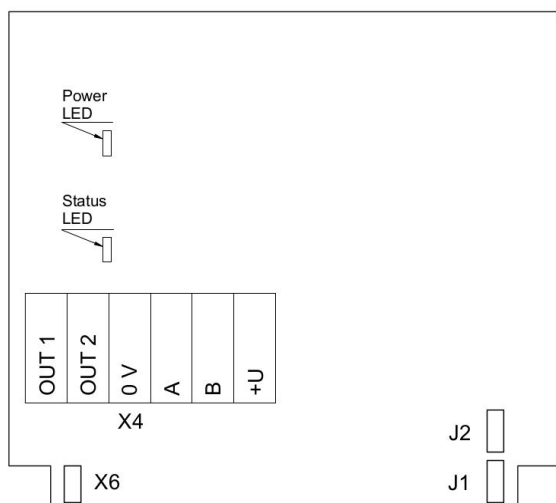
Duct mount version



Ask for other versions or custom designed products



Connection diagram



PCB without PSU and relays

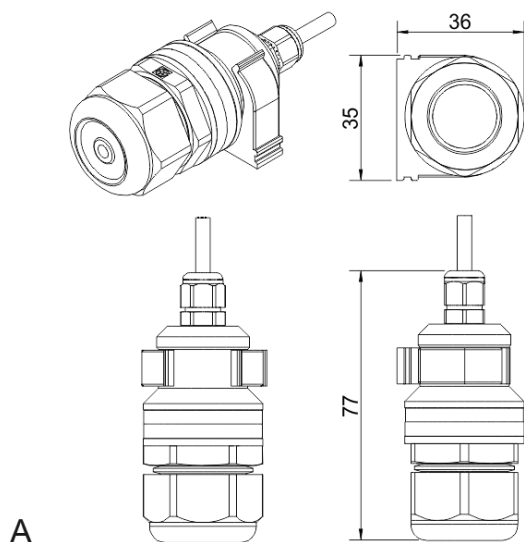
Jumpers

- J1** OUT1 type (open: 4-20 mA; closed 0-10 V)
- J2** OUT2 type (open: 4-20 mA; closed 0-10 V)
- X6** Reset Modbus network parameters to default

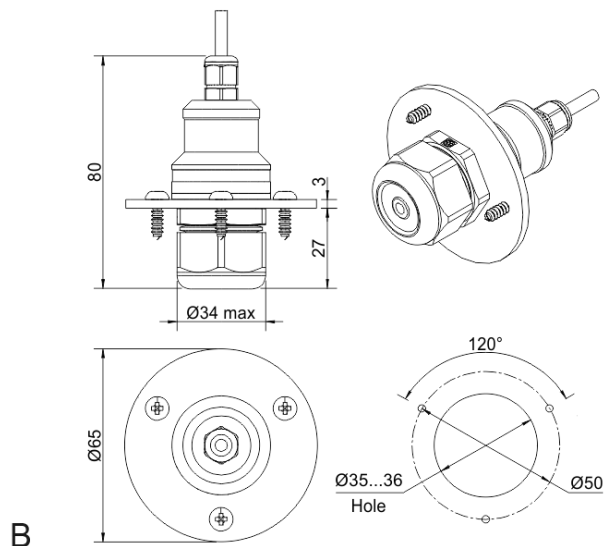
X4 terminals

- OUT1** 4-20 mA / 0-10 V output
- OUT2** 4-20 mA / 0-10 V output
- 0V** 0 V / 24 VAC Neutral (optional)
- A** RS485 A / Data +
- B** RS485 B / Data -
- +U** +24 VDC / 24 VAC Phase (optional)

Remote probe



Wall mount remote probe with fixing clamp (default version)



Remote probe with rubber flange and three self-tapping screws (on request)

