



# Ammonia Transmitter E2618-NH3-E



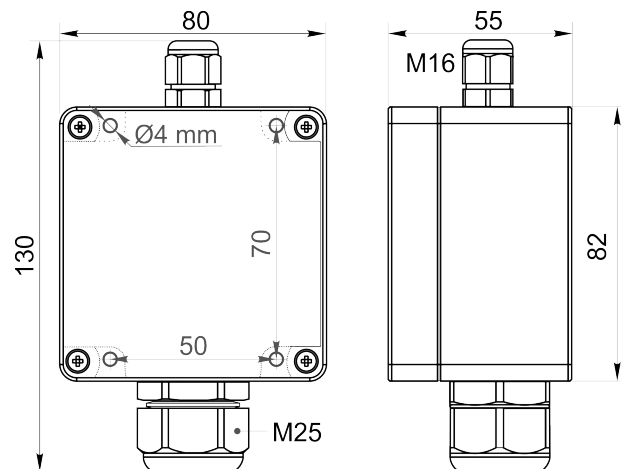
## Features

- Wall-mount or duct-mount version
- Industrial IP65 housing
- Two analog outputs settable to 4-20 mA or 0-10 V
- RS485 Modbus RTU digital interface
- Attached or remote sensor

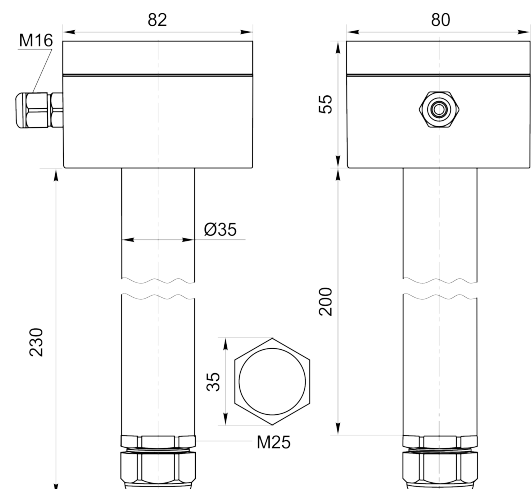
## Specifications

Calibration	Ammonia NH <sub>3</sub>		
Sensor type	Electrochemical		
Sampling method	Diffusion		
Typical detection range	0...100 ppm	0...300 ppm	0...1000 ppm
Maximum overload	200 ppm	500 ppm	1500 ppm
Resolution	1 ppm		
Response time T90	< 75 s		
Signal update	Every 1 second		
Sensor lifetime	> 2 years		
Maintenance interval	6 months		
Self-diagnostics	Full functionality check at start-up		
Warm-up time	≤ 1 min		
Power supply	12...36 VDC (default) 24 VAC as option		
Power consumption	< 2 VA		
Digital interface	RS485, Modbus RTU protocol		
Analog outputs	2 × 4-20 mA / 0-10 V, user settable		
Output scale width	Recommended: 20-100% of the range; > 10 × resolution in any case		
Enclosure	Grey ABS plastic, wall mount, protection class IP65		
Dimensions	H82 × W80 × D55 mm		
Remote sensor probe	Protection IP65, shielded cable default cable length 3.0 m		
Operating environment	Industrial indoor and outdoor locations		
Operating conditions	-40...+50°C, 15...90 %RH non-condensing; 0,9...1,1 atm; Explosion-safe areas; Non-aggressive atmosphere		
	<b>NOTE!</b> The device is not suitable for areas with constantly high ammonia concentration;		
	<b>NOTE!</b> We offer technical solutions for extreme humidity, please ask for more information.		

### Wall mount version



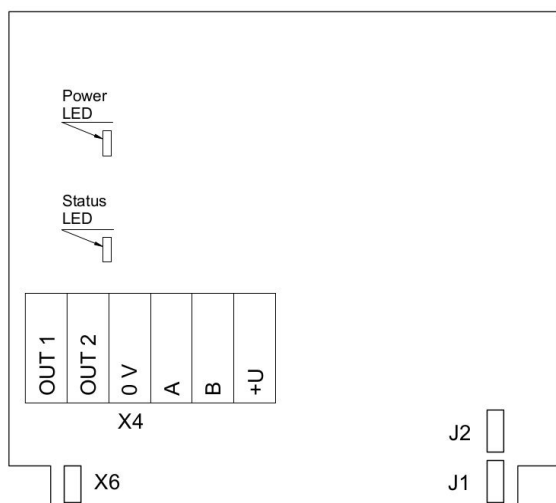
### Duct mount version



Ask for other versions or custom designed products



## Connection diagram



PCB without PSU and relays

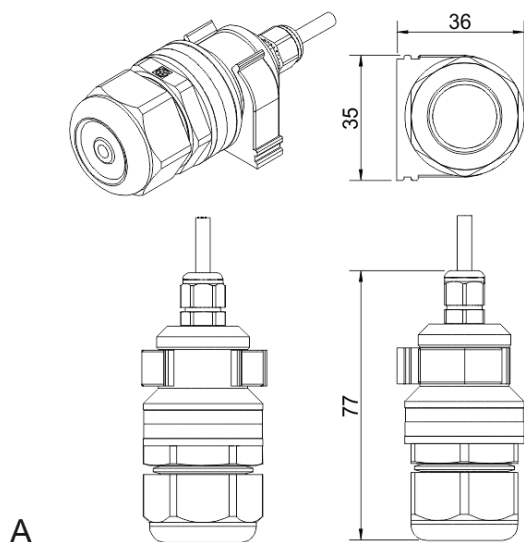
### Jumpers

- J1**                   OUT1 type (open: 4-20 mA; closed 0-10 V)
- J2**                   OUT2 type (open: 4-20 mA; closed 0-10 V)
- X6**                   Reset Modbus network parameters to default

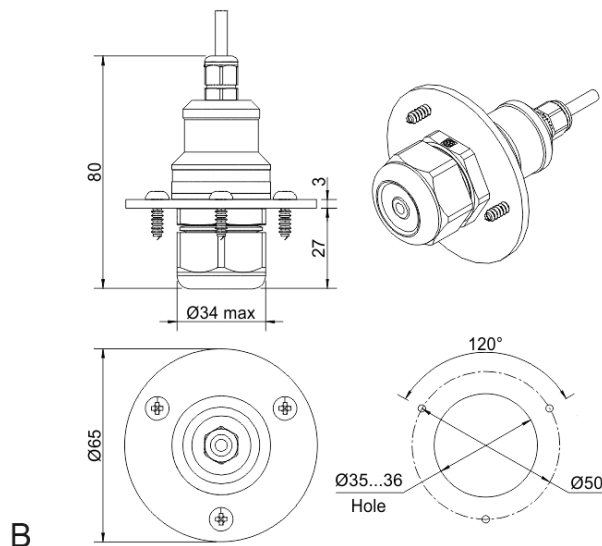
### X4 terminals

- OUT1**               4-20 mA / 0-10 V output
- OUT2**               4-20 mA / 0-10 V output
- 0V**                   0 V / 24 VAC Neutral (optional)
- A**                    RS485 A / Data +
- B**                    RS485 B / Data -
- +U**                   +24 VDC / 24 VAC Phase (optional)

## Remote probe



Wall mount remote probe with fixing clamp (default version)



Remote probe with rubber flange and three self-tapping screws (on request)

