



# Nitrogen Dioxide Transmitter E2617-NO2



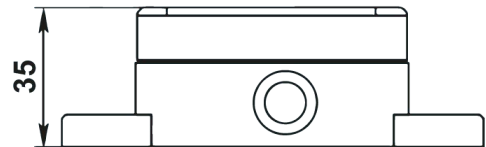
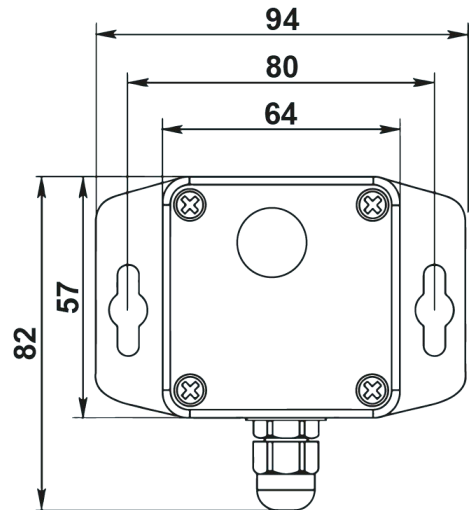
## Features

- High long-term stability
- User selectable output 4-20 mA / 0-10 V
- Fully calibrated and temperature compensated
- Low cost for volume HVAC applications

## Specifications

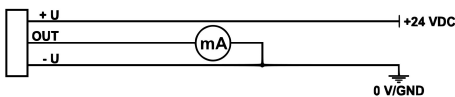
|                      |  |
|----------------------|--|
| Sensor type          | Electrochemical  |
| Sampling method      | Diffusion  |
| Detection ranges     | 0-10 ppm, 0-20 ppm   |
| Maximum overload     | 100 ppm  |
| Response time T90    | < 60 s   |
| Sensor protection    | Microporous PTFE dust filter   |
| Warm-up time         | ≤ 1 min  |
| Analog output        | 4-20 mA / 0-10 V, user selectable  |
| Power supply         | 24 VDC ± 20%   |
| Power consumption    | < 1 W  |
| Sensor lifetime      | > 2 years in fresh air   |
| Sensitivity drift    | < 20% per annum  |
| Enclosure            | Grey ABS plastic, wall mount, protection class IP65                      |
| Dimensions           | H82 × W94 × D35 mm   |
| Operating conditions | -30...+50 °C<br>15...90 %RH non-condensing,<br>pressure 800 to 1200 mbar |
| EMC Emissions        | To EN 61000-6-3, EN 61326-1  |
| EMC Immunity         | To EN 61000-6-1, EN 61000-6-2  |

## Dimensions

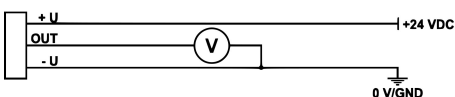


## Connection diagrams

### 3-wire 4-20 mA output



### 3-wire 0-10 V output



Ask for other versions or custom designed products

